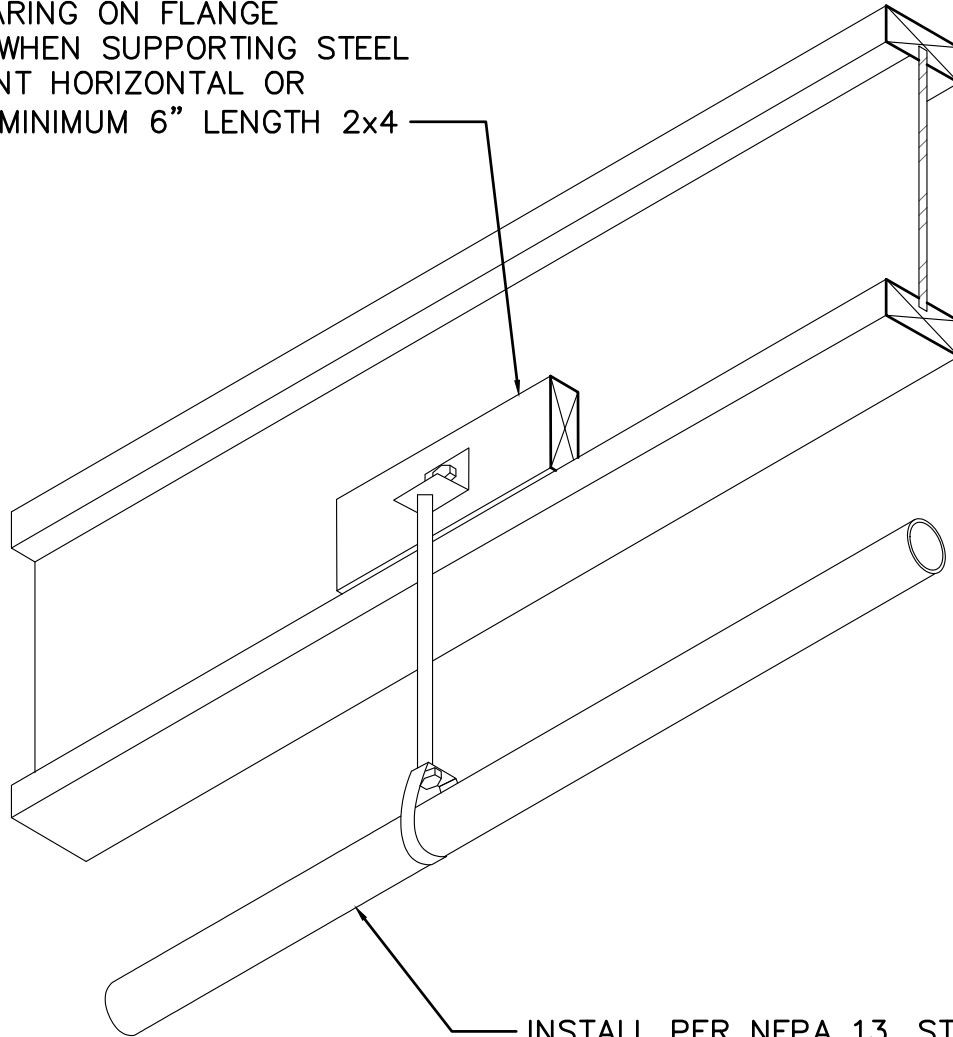
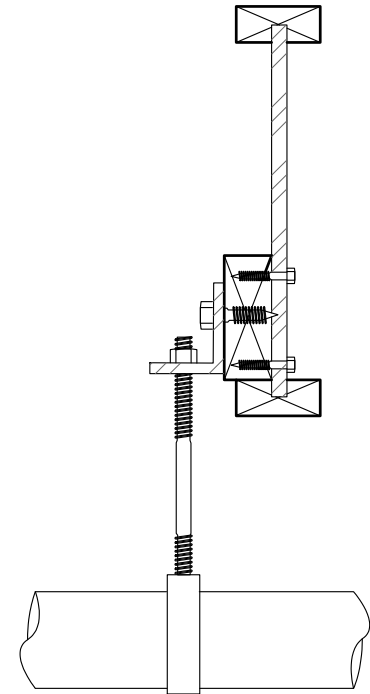


NO. 2 SPF OR BETTER FILLER  
BLOCK BEARING ON FLANGE  
REQUIRED WHEN SUPPORTING STEEL  
PIPE. ORIENT HORIZONTAL OR  
VERTICAL. MINIMUM 6" LENGTH 2x4

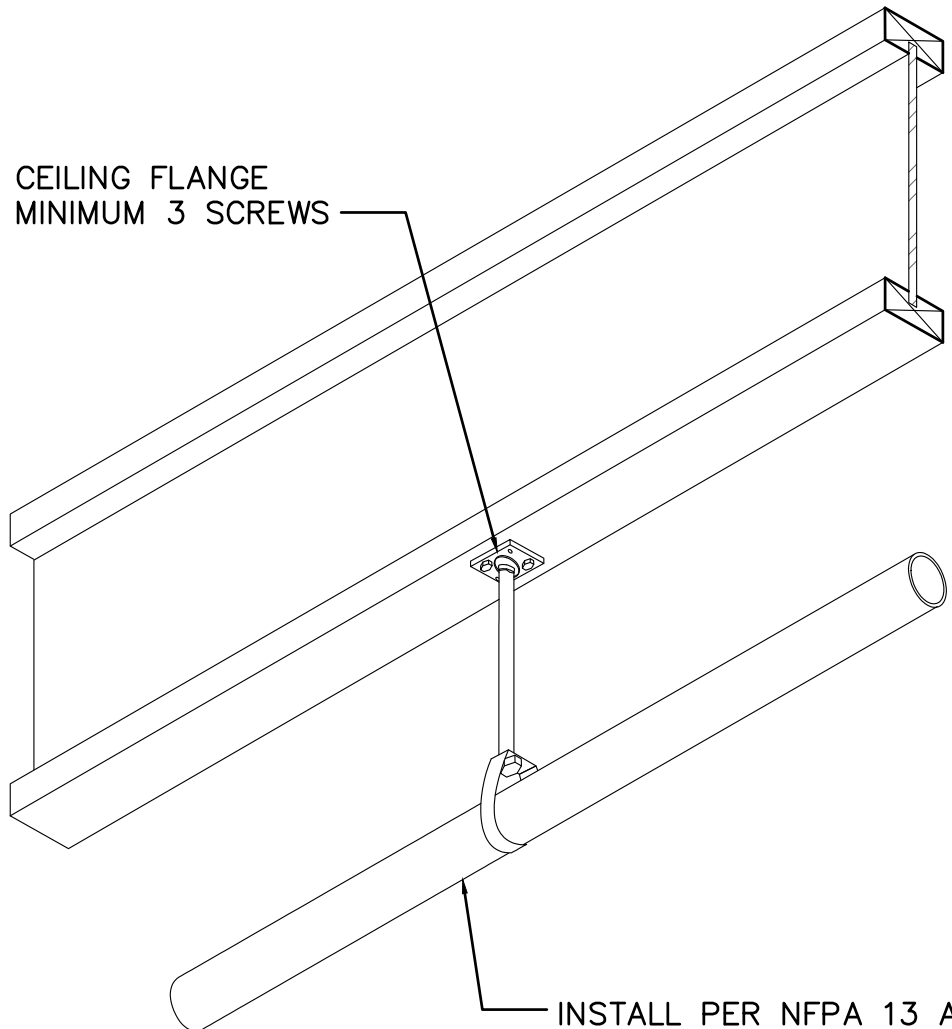


INSTALL PER NFPA 13. STEEL  
SPRINKLER SYSTEM PIPE 4"  
MAXIMUM DIAMETER OR 500  
POUNDS MAXIMUM POINT LOAD



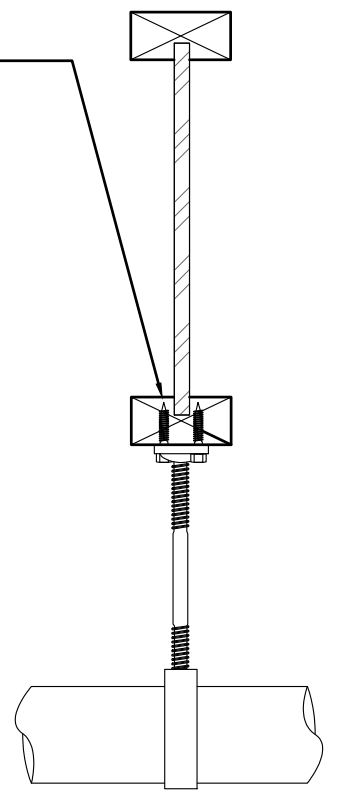
SHEET METAL SCREW: (2) #10x1-1/2"  
NAIL OPTION: (2) CLINCHED 8d  
(0.113"x2-1/2")

SP-1 ANGLE BRACKET HANGER



CEILING FLANGE  
MINIMUM 3 SCREWS

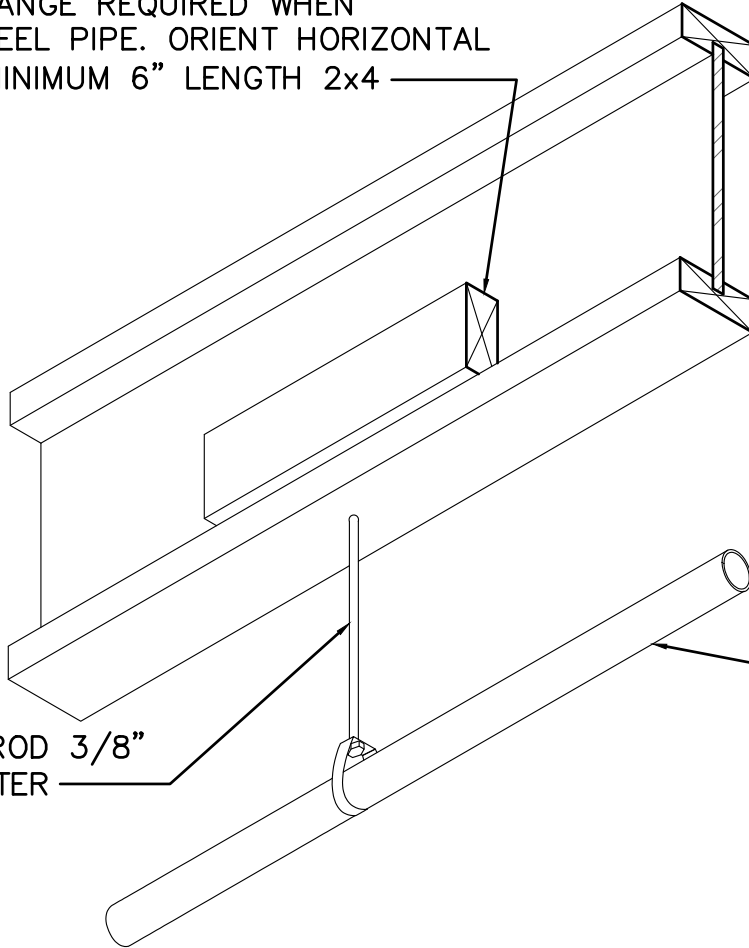
FASTENER CENTERLINE  
FROM WEB FACE 1/2"  
MAXIMUM



INSTALL PER NFPA 13 AND MANUFACTURER'S  
INSTRUCTIONS. STEEL SPRINKLER SYSTEM  
PIPE 4" MAXIMUM DIAMETER OR 500 POUNDS  
MAXIMUM POINT LOAD

SPR-2 CEILING FLANGE HANGER

NO. 2 SPF OR BETTER FILLER BLOCK  
BEARING ON FLANGE REQUIRED WHEN  
SUPPORTING STEEL PIPE. ORIENT HORIZONTAL  
OR VERTICAL, MINIMUM 6" LENGTH 2x4



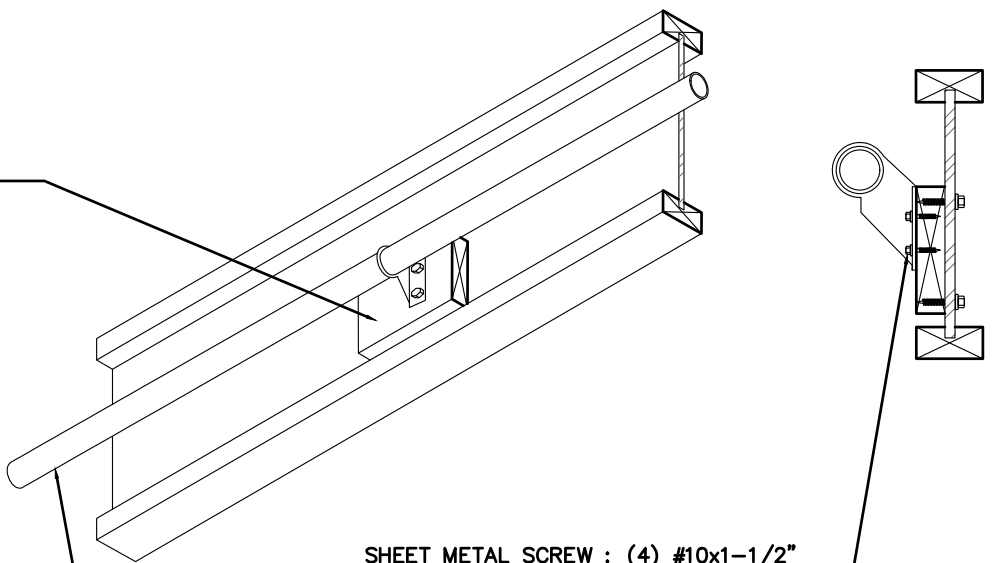
COACH SCREW ROD 3/8"  
MAXIMUM DIAMETER

SHEET METAL SCREW:  
(2) #10x1-1/2"  
NAIL OPTION:  
(2) CLINCHED 8d (0.113"x2-1/2")

INSTALL PER NFPA 13. STEEL  
SPRINKLER SYSTEM PIPE  
4" MAXIMUM DIAMETER OR 500  
POUNDS MAXIMUM POINT LOAD

SPR-3 COACH SCREW HANGER

NO. 2 SPF OR BETTER FILLER  
BLOCK BEARING ON FLANGE OK,  
BUT NOT REQUIRED. MINIMUM 6"  
LENGTH 2x4

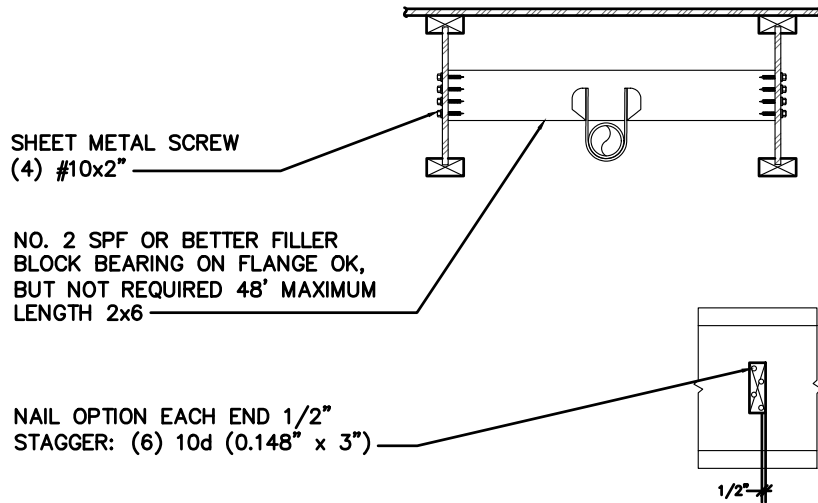


INSTALL PER NFPA 13 AND  
MANUFACTURER'S INSTRUCTIONS.  
CPVC SPRINKLER SYSTEM PIPE 3"  
MAXIMUM DIAMETER OR 310 POUNDS  
MAXIMUM POINT LOAD

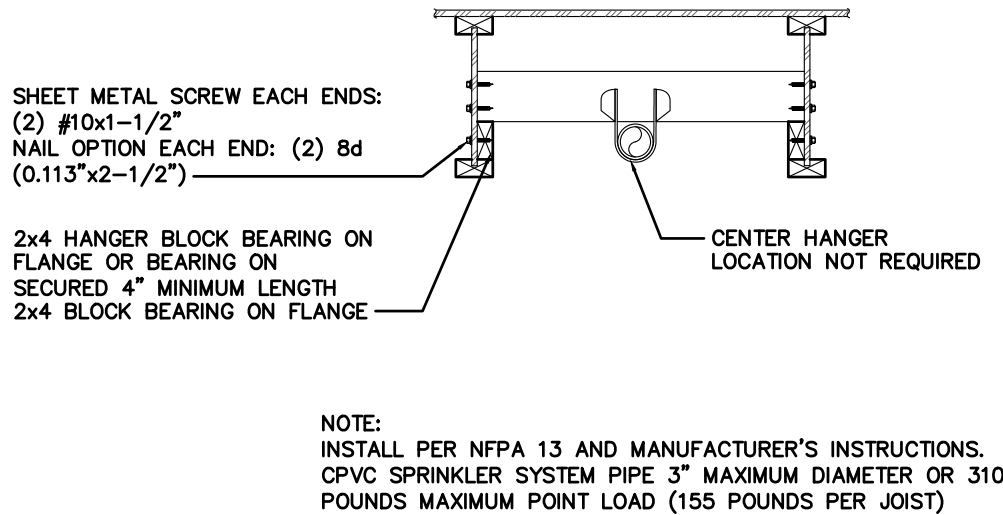
SHEET METAL SCREW : (4) #10x1-1/2"  
NAIL OPTION : (4) CLINCHED 8d  
(0.113" x 2-1/2")

SPR-4 CPVC HANGER — DOUBLE OFFSET

OPTION 1



OPTION 2

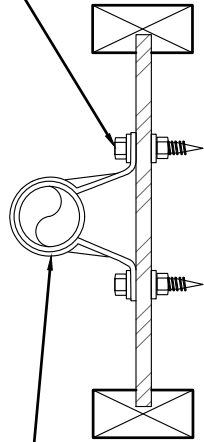


A HANGER BLOCK CONNECTION

SPR-5 CPVC HANGER - FACE MOUNT

OPTION 1

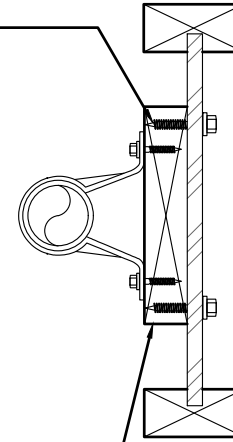
BACKING NUTS



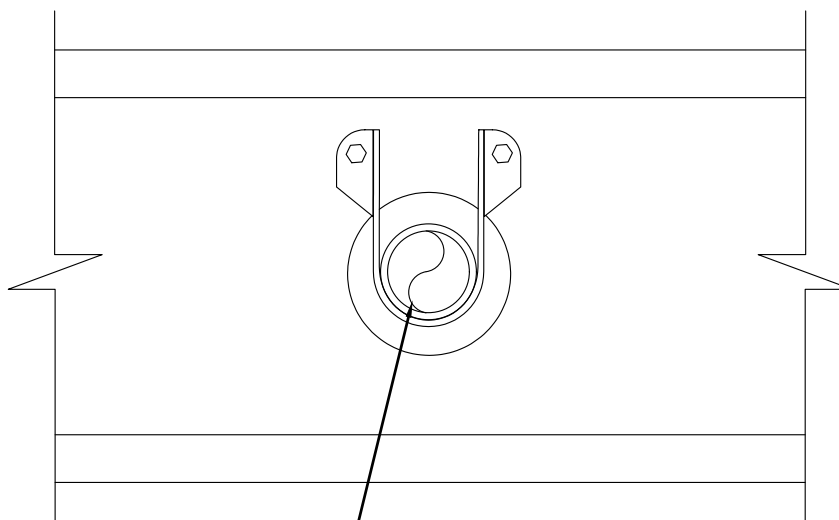
INSTALL PER NFPA 13 AND  
MANUFACTURER'S INSTRUCTIONS.  
CPVC SPRINKLER SYSTEM PIPE 3"  
MAXIMUM DIAMETER OR 310  
POUNDS MAXIMUM POINT LOAD

OPTION 2

SHEET METAL SCREW : (4)  
#10x 1-1/2"  
NAIL OPTION : (4) CLINCHED  
8d (0.113x2-1/2")

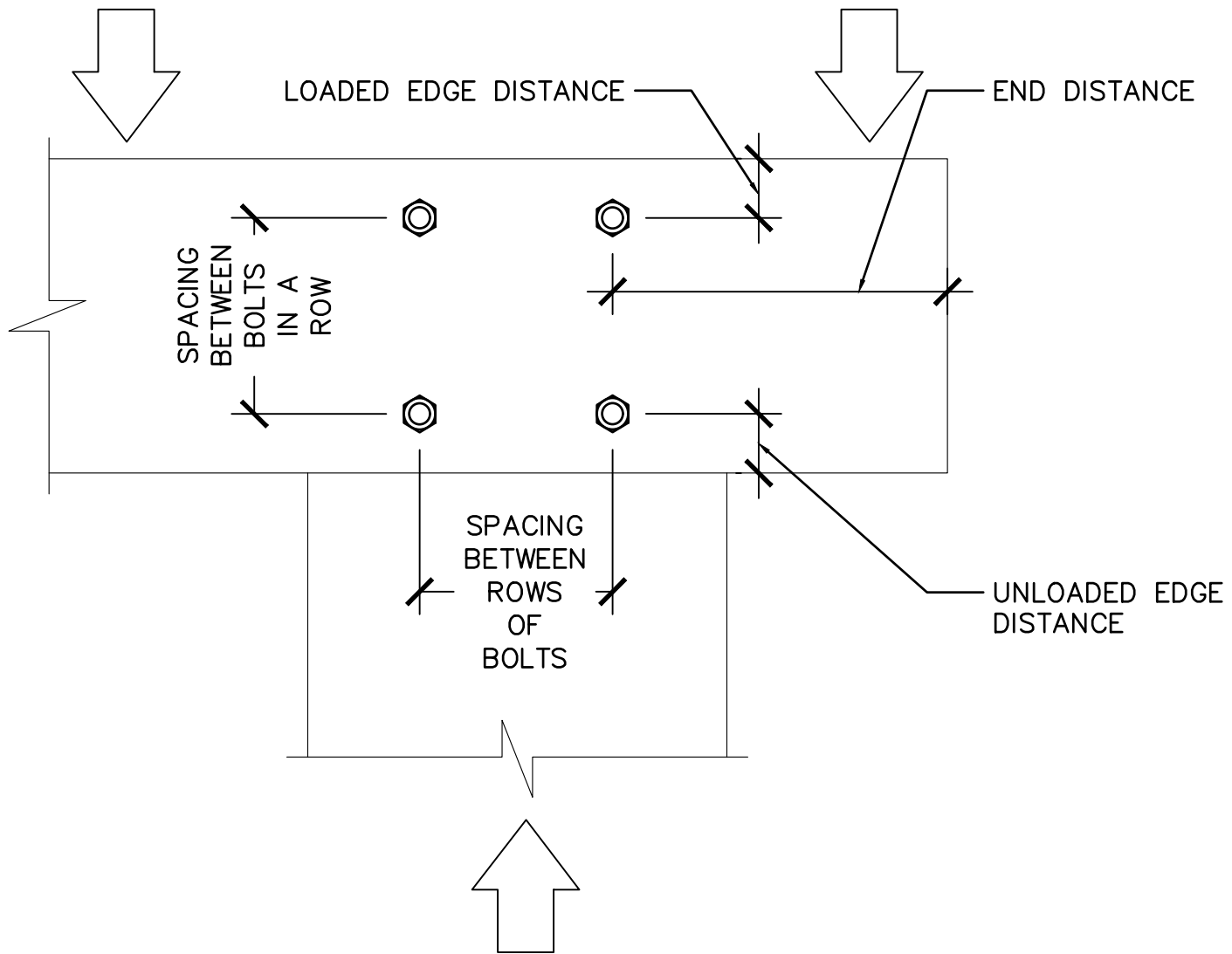


NO. 2 SPF OR BETTER  
FILLER BLOCK BEARING ON  
FLANGE OK, BUT NOT  
REQUIRED. MINIMUM 6"  
LENGTH 2x4



INSTALL PER NFPA 13 AND MANUFACTURER'S  
INSTRUCTIONS. CPVC SPRINKLER SYSTEM  
PIPE 3" MAXIMUM DIAMETER OR 310 POUNDS  
MAXIMUM POINT LOAD

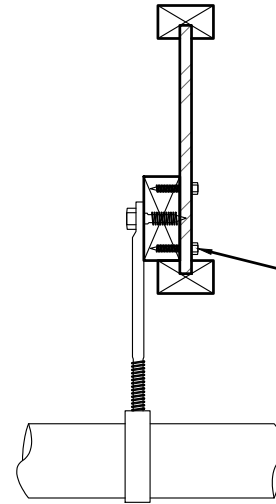
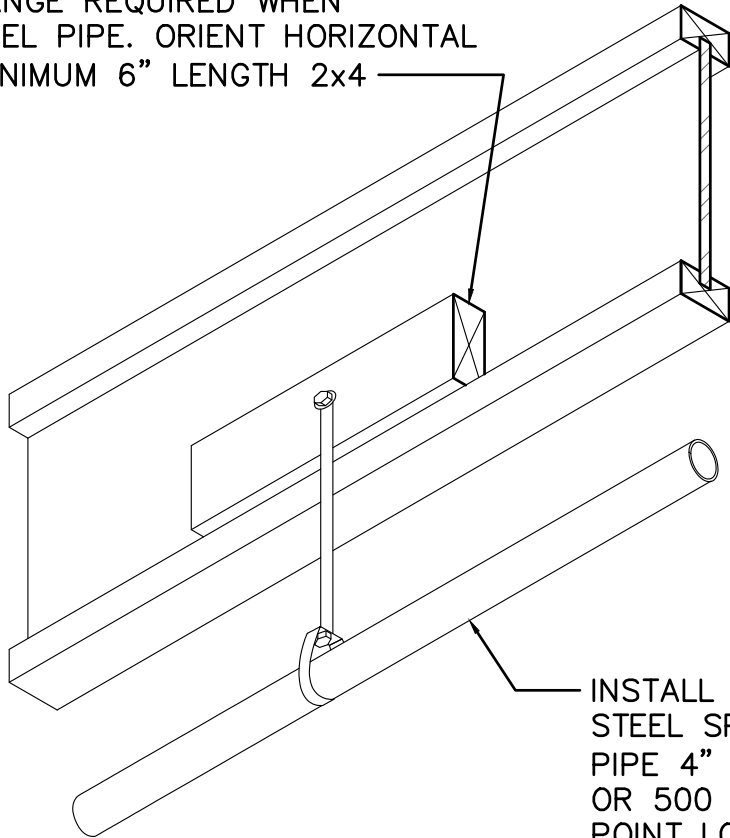
SPR-7 CPVC HANGER IN WEB BORE



SPR-8 END AND EDGE DISTANCES, LOADED, UNLOADED



NO. 2 SPF OR BETTER FILLER BLOCK  
BEARING ON FLANGE REQUIRED WHEN  
SUPPORTING STEEL PIPE. ORIENT HORIZONTAL  
OR VERTICAL. MINIMUM 6" LENGTH 2x4

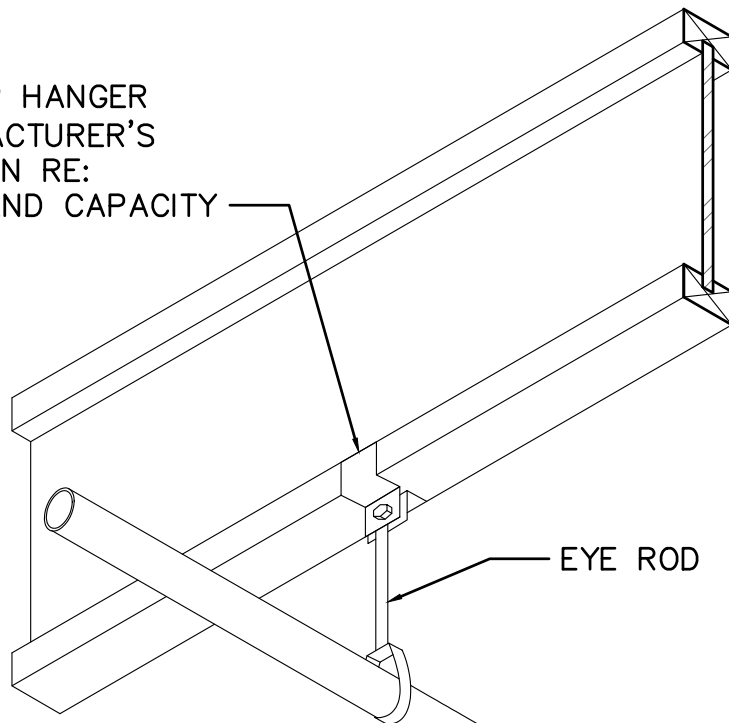


SHEET METAL SCREW:  
(2) #10x1-1/2"  
NAIL OPTION:  
(2) CLINCHED 8d (0.113"x2-1/2")

INSTALL PER NFPA 13.  
STEEL SPRINKLER SYSTEM  
PIPE 4" MAXIMUM DIAMETER  
OR 500 POUNDS MAXIMUM  
POINT LOAD

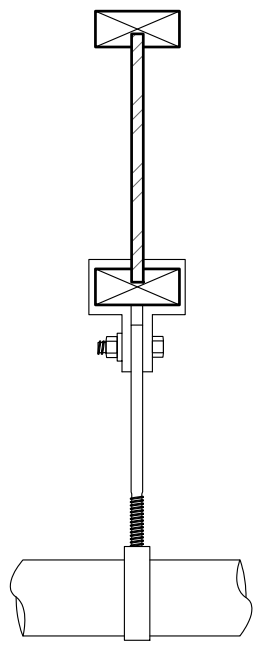
SPR-9 EYE ROD HANGER

JOIST CLAMP HANGER  
PER MANUFACTURER'S  
SPECIFICATION RE:  
DIMENSION AND CAPACITY

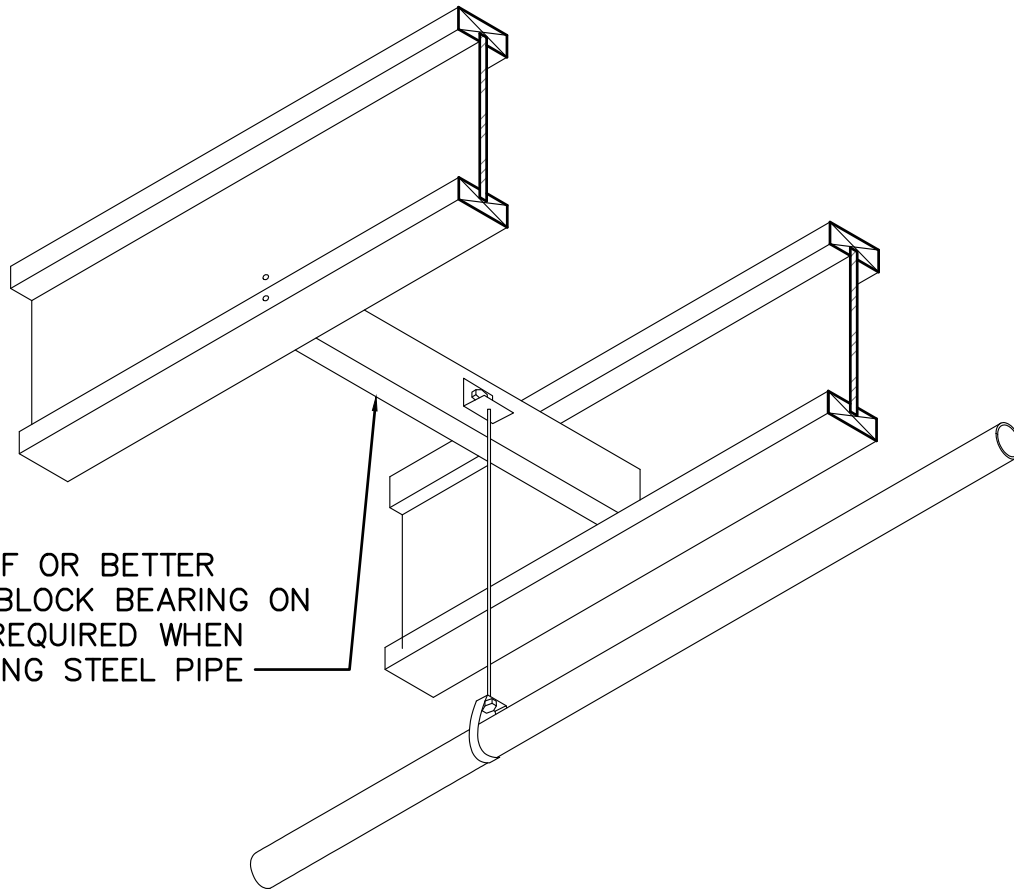


EYE ROD

INSTALL PER NFPA 13 AND  
MANUFACTURER'S INSTRUCTIONS,  
STEEL SPRINKLER SYSTEM PIPE 4"  
MAXIMUM DIAMETER OR 500  
POUNDS MAXIMUM POINT LOAD



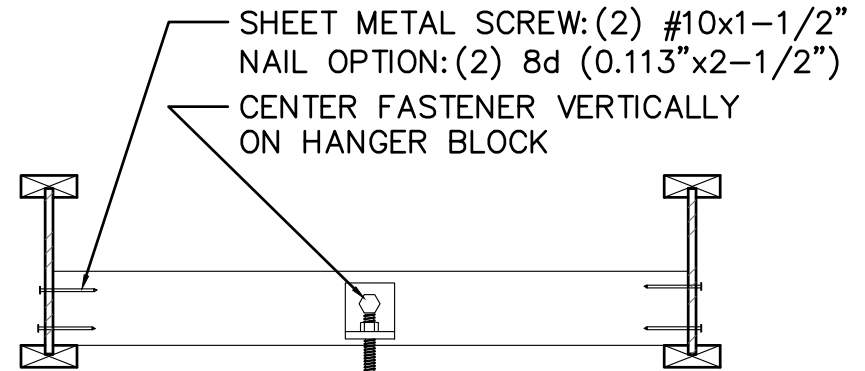
SPR-11 JOIST CLAMP HANGER



NO. 2 SPF OR BETTER  
HANGER BLOCK BEARING ON  
FLANGE REQUIRED WHEN  
SUPPORTING STEEL PIPE

INSTALL— 48" MAXIMUM LENGTH 2x4  
FOR 3" MAXIMUM DIAMETER=475  
POUNDS MAXIMUM POINT LOAD

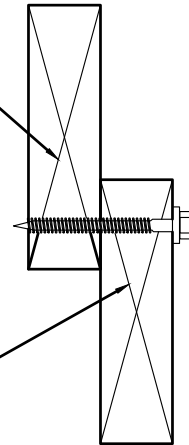
INSTALL— 48" MAXIMUM LENGTH 2x6  
FOR 5" MAXIMUM DIAMETER=600  
POUNDS MAXIMUM POINT LOAD



INSTALL PER NFPA 13 AND  
MANUFACTURER'S INSTRUCTION,  
STEEL SPRINKLER SYSTEM PIPE,  
SEE NOTE TO LEFT.

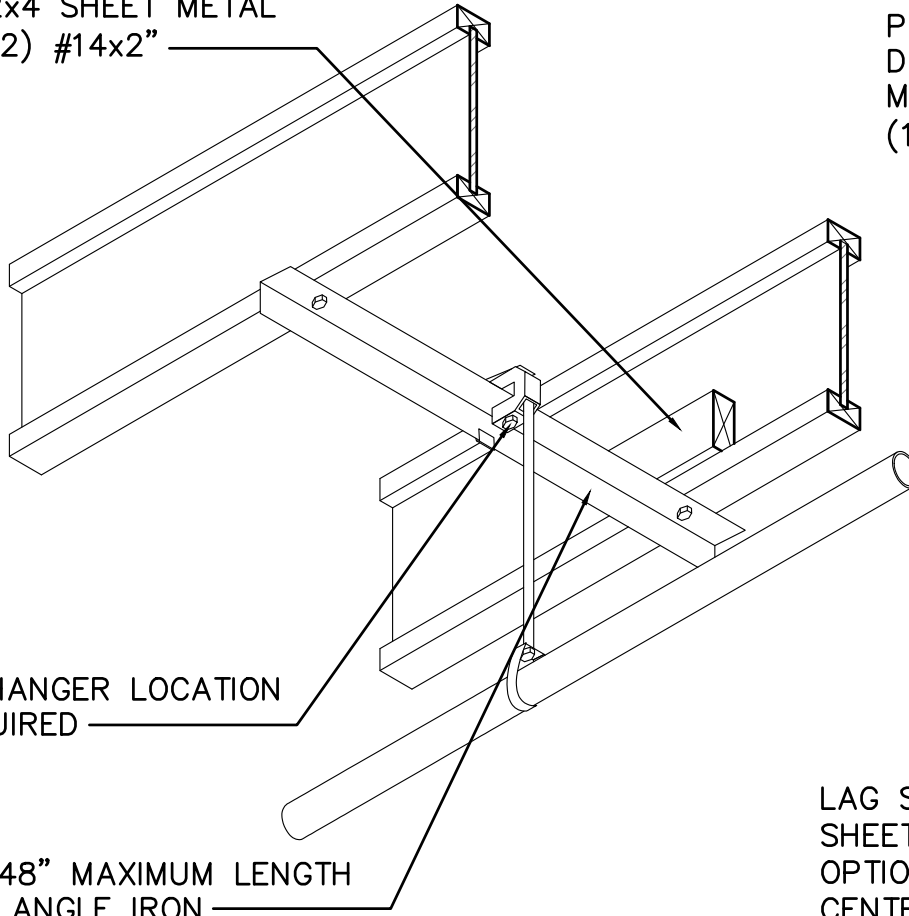
MAIN MEMBER— THE LAST  
MEMBER/MEMBERS PENETRATED  
BY THE FASTENER.

SIDE MEMBER— THE FIRST  
MEMBER PENETRATED BY  
THE FASTENER



SPR-12 MAIN AND SIDE MEMBERS

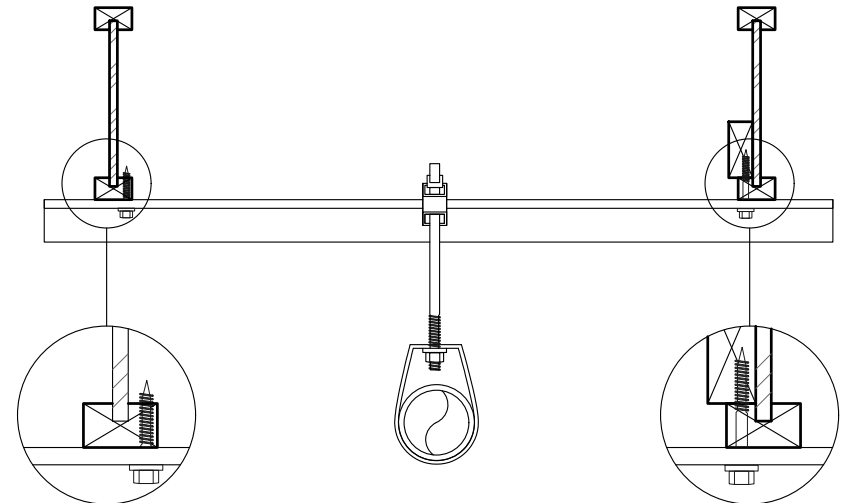
SLAVE PIECE ORIENT  
HORIZONTAL 12" MIN.  
LENGTH 2x4 SHEET METAL  
SCREWS: (2) #14x2"



CENTER HANGER LOCATION  
NOT REQUIRED

INSTALL 48" MAXIMUM LENGTH  
NFPA 13 ANGLE IRON

OPTION 1  
INSTALL PER NFPA 13.  
CPVC SPRINKLER SYSTEM  
PIPE 2-1/2" MAXIMUM  
DIAMETER =290 POUNDS  
MAXIMUM POINT LOAD  
(145 POUNDS PER JOIST)



OPTION 2  
INSTALL PER NFPA 13.  
STEEL SPRINKLER SYSTEM  
PIPE 4" MAXIMUM  
DIAMETER =500 POUNDS  
MAXIMUM POINT LOAD  
(250 POUNDS PER JOIST)

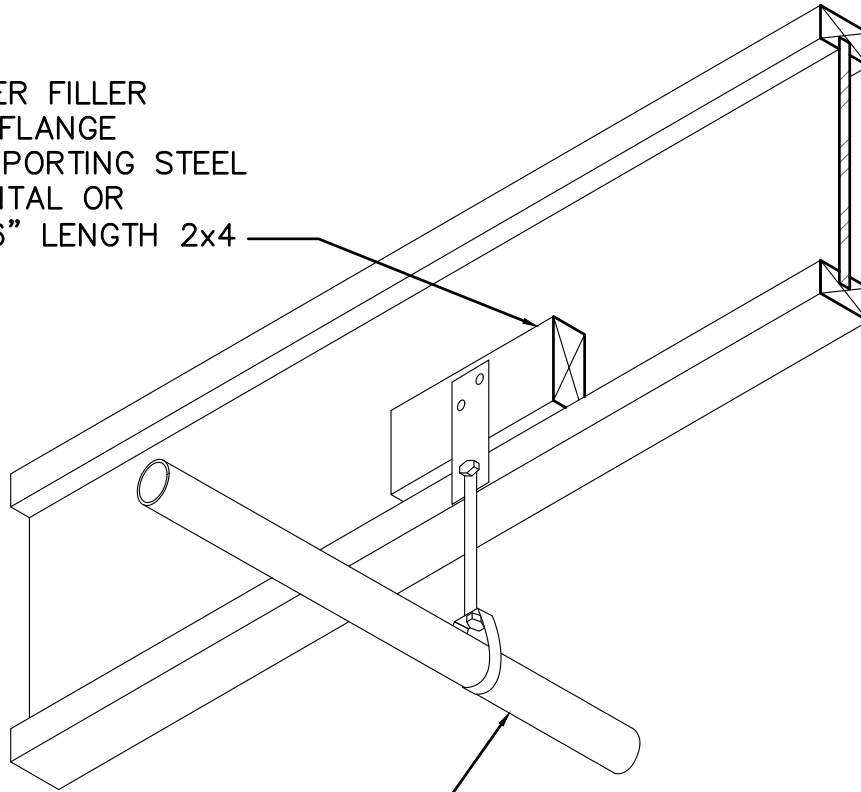
LAG SCREW: (1) 1/4x3"  
SHEET METAL SCREW  
OPTION: (1) #14x3"  
CENTERLINE FROM WEB  
FACE 3/4" MAXIMUM

SHEET METAL SCREW  
OPTION: (1) #14x3"  
CENTERLINE FROM WEB  
FACE 1/2" MAXIMUM

SLAVE PIECE ORIENT  
HORIZONTAL. 12" MINIMUM  
LENGTH 2x4. SHEET METAL  
SCREWS: (2) #14x3"

SPR-13 NFPA 13 STEEL ANGLE TRAPEZE WITH HANGER

NO. 2 SPF OR BETTER FILLER  
BLOCK BEARING ON FLANGE  
REQUIRED WHEN SUPPORTING STEEL  
PIPE, ORIENT HORIZONTAL OR  
VERTICAL, MINIMUM 6" LENGTH 2x4



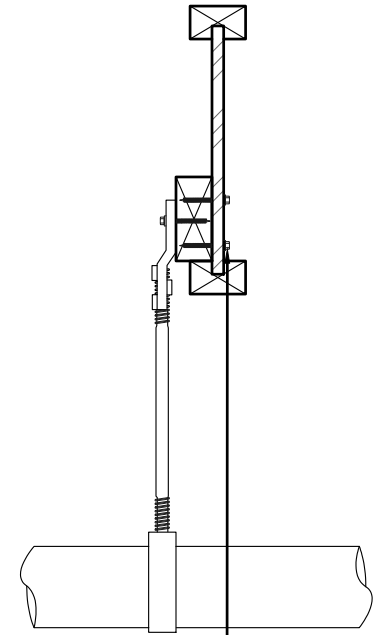
INSTALL PER NFPA 13 AND  
MANUFACTURER'S INSTRUCTIONS.  
STEEL SPRINKLER SYSTEM PIPE 4"  
MAXIMUM DIAMETER OF 500  
POUNDS MAXIMUM POINT LOAD

SHEET METAL SCREW

(2) #10x1-1/2"

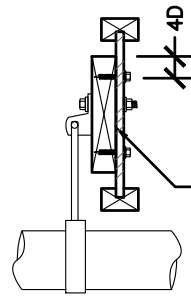
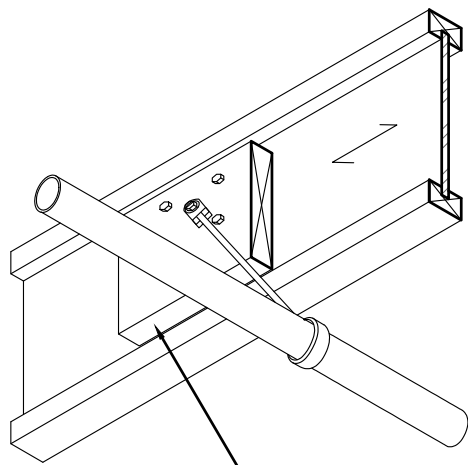
NAIL OPTION:

(2) CLINCHED 8d (0.113"x2-1/2")



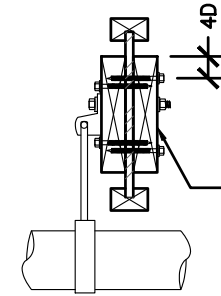
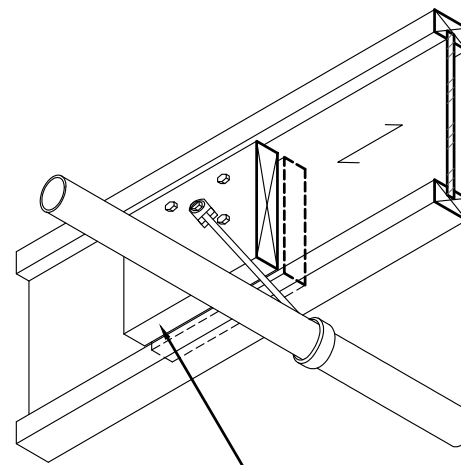
SPR-14

OFFSET EYE - SOCKET HANGER



BLOCKING ON ONE SIDE OF WEB

NO. 2 SPF OR BETTER FILLER AND SLAVE BLOCK BEARING ON FLANGE OK, BUT NOT REQUIRED. INSTALL BOTH SIDES MINIMUM 12" LONG 2x6



BLOCKING ON BOTH SIDES OF WEB

NO. 2 SPF OR BETTER FILLER AND SLAVE BLOCK BEARING ON FLANGE OK, BUT NOT REQUIRED. INSTALL BOTH SIDES MINIMUM 12" LONG 2x6

SHEET METAL SCREW THROUGH WEB INTO BLOCK: (8) #10x1-1/2"  
LAG OPTION THROUGH WEB INTO BLOCK: (8) 1/4"x1-1/2"  
NAIL OPTION THROUGH WEB INTO BLOCK: (10) CLINCHED 10d(0.128"x3")

INSTALL PER NFPA 13 AND MANUFACTURER'S INSTRUCTIONS. MAXIMUM HORIZONTAL LOAD = 650 POUNDS INCLUDES A 1.33 DURATION OF LOAD ADJUSTMENT

OPTION #1

SHEET METAL SCREW EACH SIDE: (8) #14x3"  
LAG OPTION EACH SIDE: (8) 1/4"x3"  
NAIL OPTION EACH SIDE: (10) CLINCHED 12d (0.128"x3-1/4")

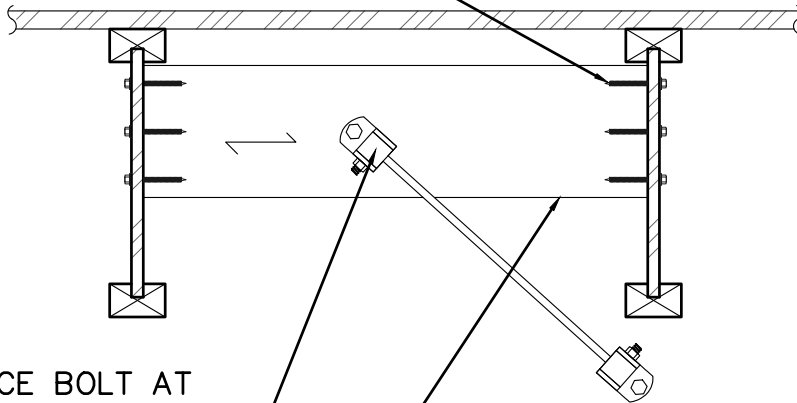
INSTALL PER NFPA 13 AND MANUFACTURER'S INSTRUCTIONS. MAXIMUM HORIZONTAL LOAD = 1000 POUNDS INCLUDES A 1.33 DURATION OF LOAD ADJUSTMENT

OPTION #2



SWAY BRACE BLOCKING FOR SEISMIC PARRALLEL TO JOIST

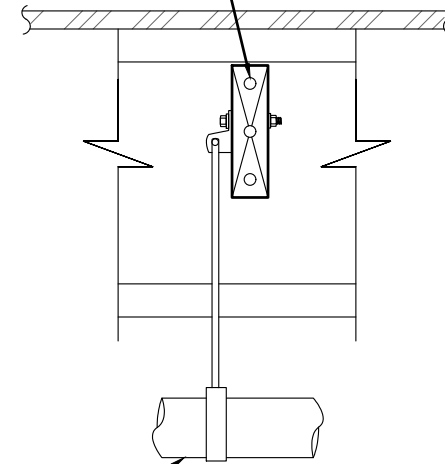
LAG SCREW: (3)1/4"x2"



INSTALL SWAY BRACE BOLT AT  
MINIMUM 4D FROM ANY EDGE

NO. 2 SPF OR BETTER  
BRACE BLOCKING, INSTALL  
ONE-48" MAXIMUM LENGTH  
4x6 AGAINST WEBS AND  
UNDER UPPER FLANGES

LAG SCREW THROUGH  
SIDE: (3)1/4"x3"



INSTALL PER NFPA 13 AND  
MANUFACTURER'S INSTRUCTIONS,  
MAXIMUM LOAD = 585 POUNDS  
INCLUDES A 1.33 DURATION OF  
LOAD ADJUSTMENT (243 POUNDS  
PER JOIST)

SPR-16

SWAY BRACE BLKG FOR SEISMIC PERPENDICULAR TO JOIST 1



SHEET METAL SCREW: (4) #14x2"  
 NAIL OPTION: (5) CLINCHED 8d  
 (0.113"x2-1/2")

3/8" MINIMUM 24/0 SPAN  
 RATING WOOD STRUCTURAL  
 PANEL NAIL OPTION: 8d COMMON  
 (0.131"x2-1/2") SPACED 3" ON  
 CENTER INTO WEB BLOCKING

PANEL NAIL PATTERN  
 3" ON CENTER TYPICAL  
 8d COMMON  
 (0.131"x2-1/2")

INSTALL SWAY BRACE  
 BOLT AT MINIMUM 4D  
 FROM ANY EDGE

NO. 2 SPF OR BETTER BRACE  
 BLOCKING INSTALL ONE-FULL  
 LENGTH VERTICAL 2x4 FLAT ON  
 EACH WEB BETWEEN TOP AND  
 BOTTOM FLANGES INSTALL ONE -  
 24" MAXIMUM LENGTH HORIZONTAL  
 2x6 AGAINST WEBS AND ABOVE OR  
 ON LOWER FLANGES

SHEET METAL SCREW:  
 (2) #14x3"

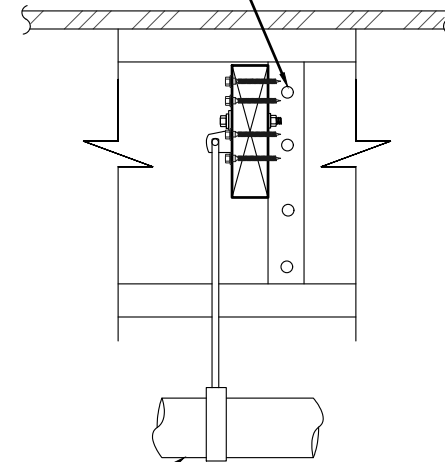
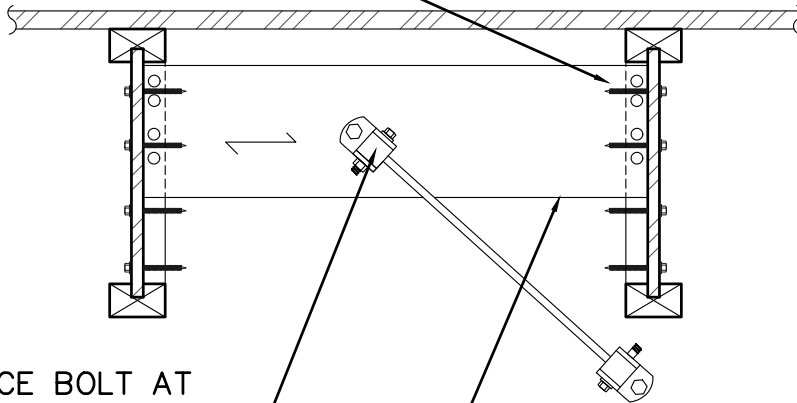
INSTALL PER NFPA 13 AND  
 MANUFACTURER'S INSTRUCTIONS.  
 MAXIMUM LOAD = 515 POUNDS  
 INCLUDES A 1.33 DURATION OF  
 LOAD ADJUSTMENT (258  
 POUNDS PER JOIST)



SWAY BRACE BLKG FOR SEISMIC PERPENDICULAR TO JOIST 2

CROSS MEMBER LAG SCREWS:  
 FOUR- 1/4" x 3" EACH END  
 SHEET METAL SCREW: FOUR -  
 #14x3" EACH END NAIL OPTION:  
 SIX- 12d (0.128" x 3-1/4" )  
 EACH END

WEB BLOCKING LAG SCREWS:  
 FOUR- 1/4" X 2" EACH  
 END SHEET METAL SCREWS:  
 FOUR # 14 x 1-1/2" EACH  
 END



INSTALL SWAY BRACE BOLT AT  
 MINIMUM 4D FROM ANY EDGE

NO. 2 SPF OR BETTER  
 BRACE BLOCKING, INSTALL  
 ONE-FULL LENGTH VERTICAL  
 2x4 FLAT ON EACH WEB  
 BETWEEN TOP AND BOTTOM  
 FLANGES INSTALL ONE- 48"  
 MAXIMUM LENGTH  
 HORIZONTAL 2x6 AGAINST  
 WEBS AND UNDER UPPER  
 FLANGES

INSTALL PER NFPA 13 AND  
 MANUFACTURER'S INSTRUCTIONS,  
 MAXIMUM LOAD = 515 POUNDS  
 INCLUDES A 1.33 DURATION OF  
 LOAD ADJUSTMENT (258 POUNDS  
 PER JOIST)