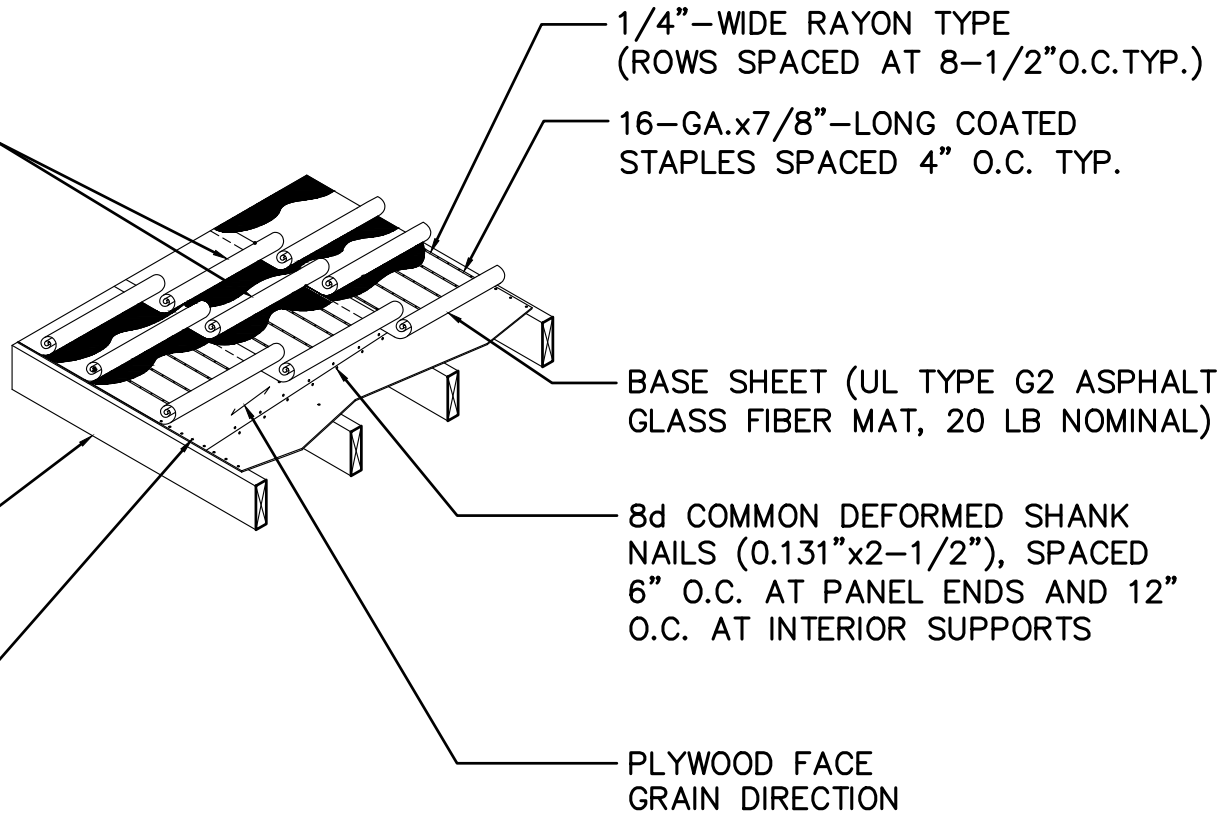


TWO-PLY SHEETS (UL TYPE G1 ASPHALT GLASS FIBER MAT, 10 LB NOMINAL) HOT-MOPPED WITH SURFACE FLOOD COAT

2" NOMINAL DOUGLAS-FIR OR SOUTHERN PINE FRAMING SPACED 24" O.C. MAX.

15/32" APA RATED SHEATHING 32/16 EXPOSURE 1 PLYWOOD MARKED PS 1.



1/4"-WIDE RAYON TYPE (ROWS SPACED AT 8-1/2" O.C. TYP.)

16-GA. x 7/8"-LONG COATED STAPLES SPACED 4" O.C. TYP.

BASE SHEET (UL TYPE G2 ASPHALT GLASS FIBER MAT, 20 LB NOMINAL)

8d COMMON DEFORMED SHANK NAILS (0.131"x2-1/2"), SPACED 6" O.C. AT PANEL ENDS AND 12" O.C. AT INTERIOR SUPPORTS

PLYWOOD FACE GRAIN DIRECTION

**NOTE:**

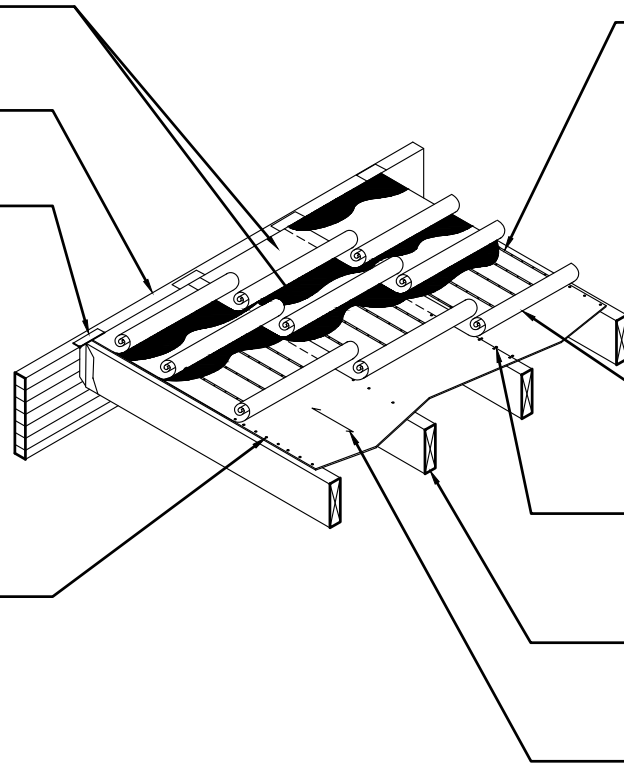
1. DESIGN IN ACCORDANCE WITH LOCAL BUILDING CODE REQUIREMENTS FOR ROOF LOADS AND ANCHORAGE. ALL FRAMING MUST HAVE 2" NOMINAL OR GREATER WIDTH FOR PLYWOOD DECK NAILING.

TWO-PLY SHEETS (UL TYPE G1  
ASPHALT GLASS FIBER MAT, 10 LB  
NOMINAL) HOT-MOPPED WITH  
SURFACE FLOOD COAT

ROOF PURLINS OR TRUSSES  
SPACED 8'-0" O.C.

STEEL JOIST  
HANGERS

15/32" APA RATED SHEATHING  
32/16 EXPOSURE 1 PLYWOOD  
MARKED PS 1 (4 PLYS MIN.,  
ALL GROUP 1 SPECIES) OR  
15/32" APA STRUCTURAL 1  
RATED SHEATHING 32/16  
PLYWOOD MARKED PS 1



1/4"-WIDE RAYON TYPE (ROWS  
SPACED AT 8-1/2" O.C. WITH  
16-GA.(0.0625" DIA.)x7/8"-LONG  
COATED STAPLES SPACED 4" O.C.)

BASE SHEET (UL TYPE G2  
ASPHALT GLASS FIBER MAT,  
SHORT 20 LB NOMINAL)

10d (0.148"x2-1/8") COMMON  
NAILS, 4" O.C. AT EDGES AND 6"  
O.C. AT INTERIOR SUPPORTS

2" NOMINAL DOUGLAS-FIR  
OR SOUTHERN PINE  
FRAMING SPACED 24" O.C.

PLYWOOD FACE  
GRAIN DIRECTION

NOTE:

1. TRUSSES OR I-JOISTS USED FOR PURLINS MUST HAVE CHORDS OR FLANGES OF 1-3/4" MIN. DEPTH FOR PLYWOOD DECK NAILING.
2. FOR SEMI-WIND-RESISTIVE ASSEMBLIES (CLASS 60), PLYWOOD DECK NAILING SPACED 6" O.C. AT ALL SUPPORTS AND ROOFING BASE SHEET ATTACHED WITH RAYON TAPE ROWS SPACED 11-1/3" O.C.
3. INSTALL ROOFING BASE AND PLY SHEETS WITH ROLL DIRECTION PARALLEL TO PLYWOOD FACE GRAIN DIRECTION, AS WITH A PANELIZED ROOF SYSTEM.